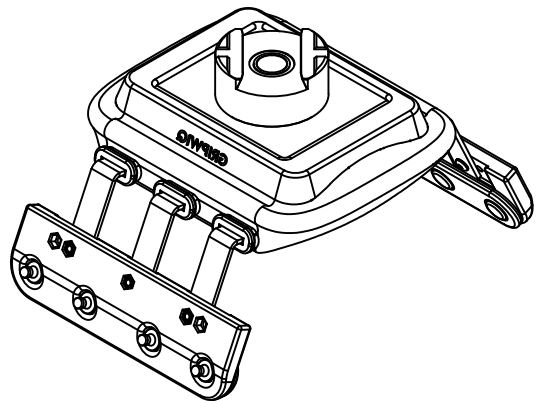
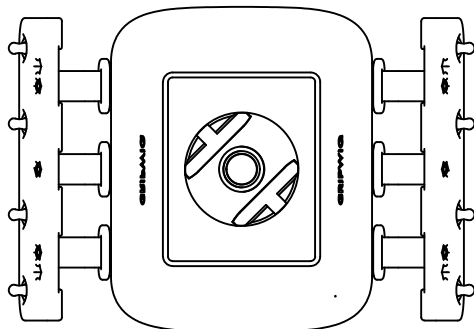
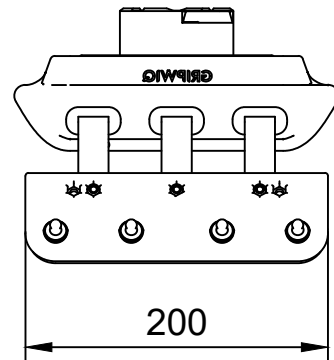
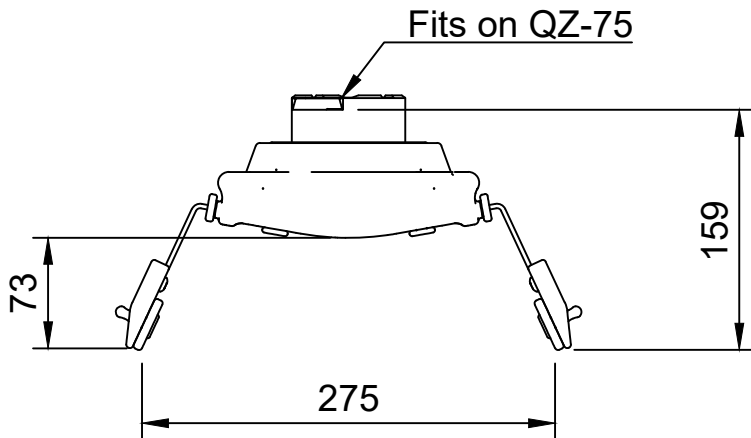
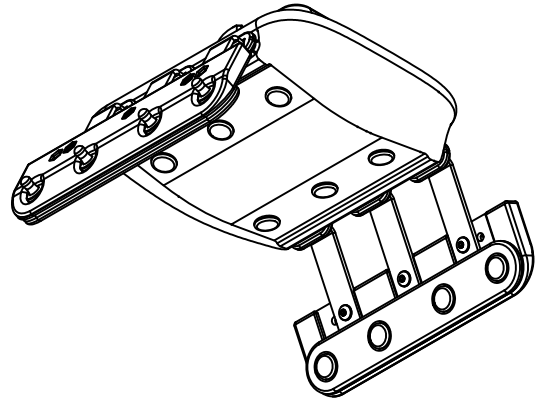
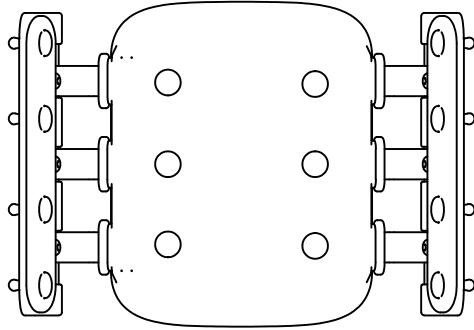


# Product sheet

50093\_100

GR-600\_180x220 Complete tool

Please contact us for CAD model info@gripwiq.com



# Product sheet

50093\_100

GR-600\_180x220 Complete tool

Please contact us for CAD model info@gripwiq.com



## Parts List

Item	Qty	Part Number	Description
1	1	10148_100_A30	GR-600 180x220 Silicone lip in shore A-30 ( <a href="https://a360.co/35HVijR">https://a360.co/35HVijR</a> )
2	6	10134_100_A20	GR-600 Finger sleeve 20MM ( <a href="https://a360.co/32CETLz">https://a360.co/32CETLz</a> )
3	14	10123_100_A20	Mount plug Mount plug 7 mm ( <a href="https://a360.co/2E9y0bt">https://a360.co/2E9y0bt</a> )
4	16	70341_100	Mount washer for silicone plugs ( <a href="https://a360.co/3gz2aVl">https://a360.co/3gz2aVl</a> )
5	2	10154_100_A30	Silicone protection for finger ( <a href="https://a360.co/3mKiX85">https://a360.co/3mKiX85</a> )
6	6	80066_100	M5 Locknut ( <a href="https://a360.co/35LErga">https://a360.co/35LErga</a> )
7	6	80011_100	Pan Head M5x12 ( <a href="https://a360.co/3iQcJTn">https://a360.co/3iQcJTn</a> )
8	2	70340_100	GR-600 finger for 50093_100 ( <a href="https://a360.co/2WiFS2Z">https://a360.co/2WiFS2Z</a> )
9	2	70195_100_B	GR-600 spatula (200) ( <a href="https://a360.co/3hggq7Qv">https://a360.co/3hggq7Qv</a> )
10	1	70184_100	GR-600 Mount base 180x220 ( <a href="https://a360.co/3u0mPXN">https://a360.co/3u0mPXN</a> )
11	1	20118_100	QZ-75 tool mount (Ø50) ( <a href="https://a360.co/3iUF0YJ">https://a360.co/3iUF0YJ</a> )
12	4	80093_100	UMB M5x16 ( <a href="https://a360.co/3c4mJ8Q">https://a360.co/3c4mJ8Q</a> )
13	4	80053_100	Washer M5 normal ( <a href="https://a360.co/2ZOnUo2">https://a360.co/2ZOnUo2</a> )

