

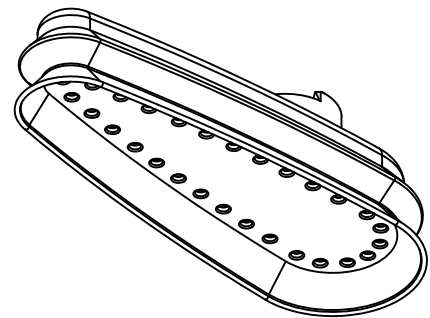
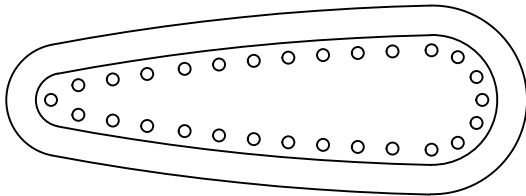
# Product sheet



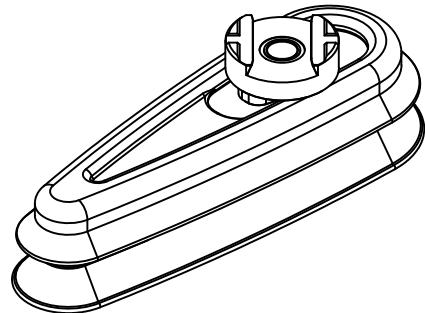
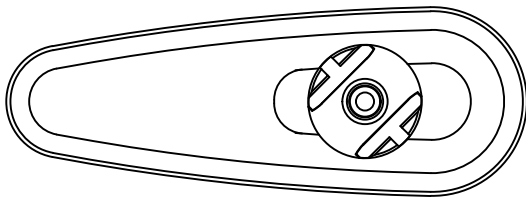
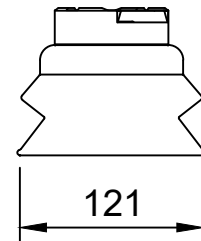
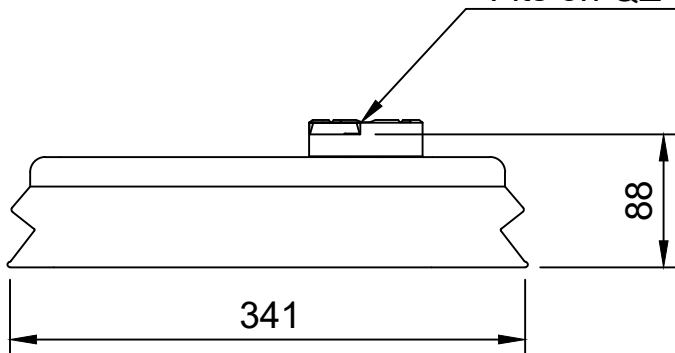
50058\_100\_A20

340x120 Model not final approved

Link to CADmodel : <https://a360.co/357YjaZ>



Fits on QZ-75 system



# Product sheet

50058\_100\_A20

Link to CADmodel : <https://a360.co/357YjaZ>

## Parts List

Item	Qty	Part Number	Description
1	1	10150_200_A20	Silicone lip for 340x110_B
2	1	70179_200	Mount plate for CS-300_340x110_B in AISI-304
3	1	20012_100	QZ-75 Tool mount 50-25 ( <a href="https://a360.co/35TUVqp">https://a360.co/35TUVqp</a> )
4	3	80059_100	PAN M5x20 ( <a href="https://a360.co/3hG1DPk">https://a360.co/3hG1DPk</a> )
5	1	70180_200	Asm for CS-300_340x110_B tool
6	1	80011_100	Pan Head M5x12 ( <a href="https://a360.co/3iQcJTn">https://a360.co/3iQcJTn</a> )

