

MULTIGRIP VISE

The MultiGrip Vise is a pneumatic, automation-ready CNC milling vise with a quick-change jaw system. Ideally suited for high-mix CNC production, the MultiGrip Vise can be operator-tended or robot-tended. The single-piece body maximizes rigidity while a direct-acting piston reduces friction allowing for the widest range of clamping pressure. When combined with a MultiGrip Gripper, the MultiGrip Vise provides enhanced capabilities for CNC mill automation.

FEATURES

Manufactured using precision 5-axis CNC

Jaw repeatability of 0.0005" (robot or hand loaded)

4500 pounds of clamping force at 120psi

Minimum clamping pressure of 10psi

MultiGrip quick-change jaw interface

Simplified automation when combined with a MultiGrip robot gripper

Low-cost soft-jaw consumables

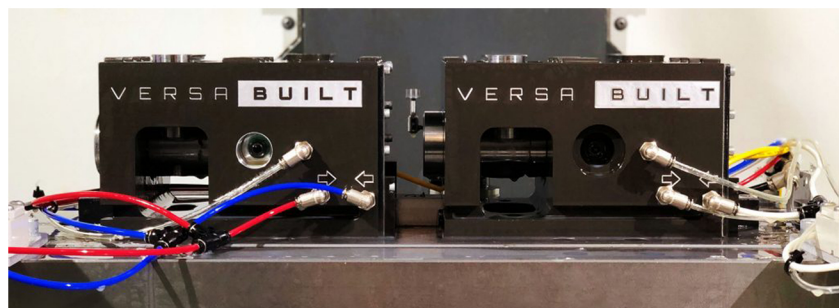
2-year warranty

V E R S A **B** U I L T
R O B O T I C S



V E R S A **B** U I L T
R O B O T I C S

Contact us for more details
sales@versabuilt.com
(208) 906-0814



MULTIGRIP VISE

Purchasing Options

MultiGrip Vise

MultiGrip Vise with push to connect pneumatic fittings

Operator-Tended MultiGrip Vise Starter Kit

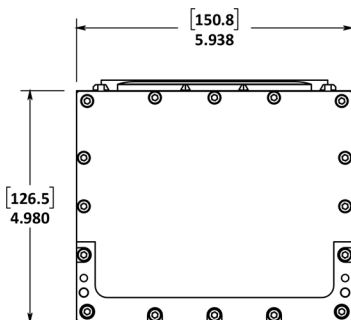
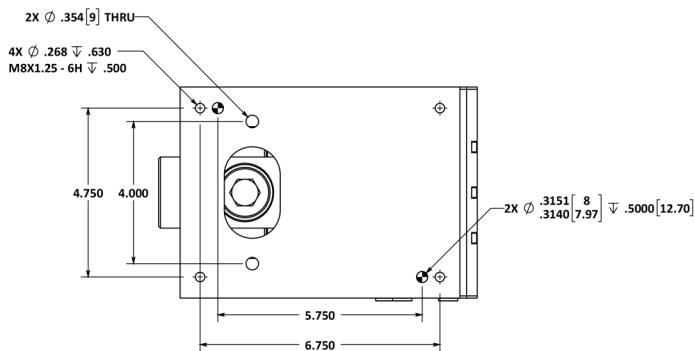
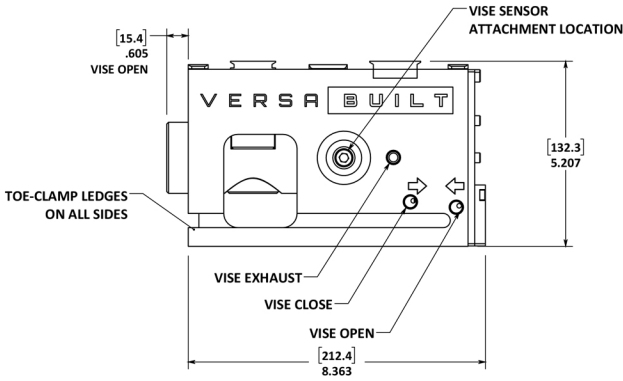
Everything needed to start making parts with a MultiGrip Vise. Easily upgraded to a full automation solution using traditional robot grippers.

- MultiGrip Vise
- 2 x 1" OD SingleGrip Jaw Sets
- CNC table mounted hand valve
- Pneumatic tubing and fittings

Automation-Enabled MultiGrip Vise Starter Kit

Everything needed to start making parts with a MultiGrip Vise. By using the MultiGrip Base Jaw + Top Jaw system, your workholding is immediately ready to transition to full automation with VersaBuilt's Mill Automation System

- MultiGrip Vise
- MultiGrip OD Base Jaw
- MultiGrip Universal Top Jaws
- 4x MultiGrip VersaBites
- CNC Table-mounted hand-valve
- Pneumatic tubing and fittings



V E R S A **B U I L T**
R O B O T I C S