

UR20

Technical Specification

The UR20, the first of our next-generation high performance cobots, has been redesigned from the ground up to provide up to 30% more speed and torque, advanced motion control capabilities, and first-class user experience.

UR cobots bring incredible versatility and unparalleled ease of use to your applications. The UR20 is no exception - its 20 kg payload and 1750 mm reach make it an ideal match for applications ranging from palletizing to machine loading.

Contact

Universal Robots USA, Inc.
 5430 Data Court
 Suite 300
 Ann Arbor, MI. 48108
 United States
 Phone: +1 844 462 6269
Ur.na@universal-robots.com
Universal-robots.com

1st Edition Published May 2022

* Preliminary Specification.
 Subject to change.

UR20*

Specification

Payload	20 kg (44.1 lbs) at full CoG offset and in the entire workspace	
Reach	1750 mm (68.9 in)	
Degrees of Freedom	6 rotating joints	
Programming	12 inch touchscreen with PolyScope graphical user interface	
Power, Consumption, Maximum Average	1500 W	
Power, Consumption, Typical with Moderate Settings (approximate)	500 W	
Safety	17 configurable safety functions	
Certifications	EN ISO 13849-1, PLd Category 3, and EN ISO 10218-1, UL1740	

Performance

Force Sensing, Tool Flange	Force, x-y-z	Torque, x-y-z
Range	200 N	20.0 Nm
Precision	5.5 N	0.2 Nm
Accuracy	10 N	1 Nm

Movement

Pose Repeatability per ISO 9283	± 0.05 mm	
Axis Movement	Working range	Maximum speed
Base	± 360°	± 120°/s
Shoulder	± 360°	± 120°/s
Elbow	± 360°	± 150°/s
Wrist 1	± 360°	± 210°/s
Wrist 2	± 360°	± 210°/s
Wrist 3	± 360°	± 210°/s
Typical TCP speed	2 m/s	

Features

IP Classification	IP54	
ISO 14644-1 Class Cleanroom	5	
Noise	Less than 65 dB(A)	
Robot Mounting	Any Orientation	
I/O Ports		
Digital In	2	
Digital Out	2	
Analog In	2	
Tool I/O Power Supply Voltage	12/24 V	
Tool I/O Power Supply	2 A (Dual pin) 1 A (Single pin)	

Physical

Footprint	Ø 245 mm 6 x M10 60° 105 mm center	
Materials	Aluminum, Plastic, Steel	
Tool Flange	EN ISO-9409-1-80-6-M8	
Connector Type	M8 M8 8-pin	
Cable Length (Robot Arm)	6 m (236 in)	
Weight Including Cable	64 kg (141.1 lbs)	
Operating Temperature Range	0-50°C (32-122°F)	
Humidity	90%RH (non-condensing)	

Control Box

Features

IP Classification	IP44	
ISO 14644-1 Class Cleanroom	6	
Operating Temperature Range	0-50°C	
Humidity	90%RH (non-condensing)	
I/O Ports		
Digital In	16	
Digital Out	16	
Analog In	2	
Analog Out	2	
Quadrature Digital Inputs	4	
I/O Power Supply	24V 2A	
Communication	500 Hz Control frequency	
	Modbus TCP	
	PROFINET	
	Ethernet/IP	
	USB 2.0, USB 3.0	
Power Source	100-240VAC, 47-440Hz	

Physical

Control Box Size (W x H x D)	460 mm x 449 mm x 254 mm (18.2 in x 17.6 in x 10 in)	
Weight	12 kg (26.5 lbs)	
Materials	Powder Coated Steel	

The control box is also available in an OEM version

3-Position Enabling Teach Pendant

Features

IP Classification	IP54	
Included in Certifications	EN ISO 10218-1:2011 EN ISO 13849-1:2015	
Humidity	90% RH (non-condensing)	
Display Resolution	1280x800 pixels	

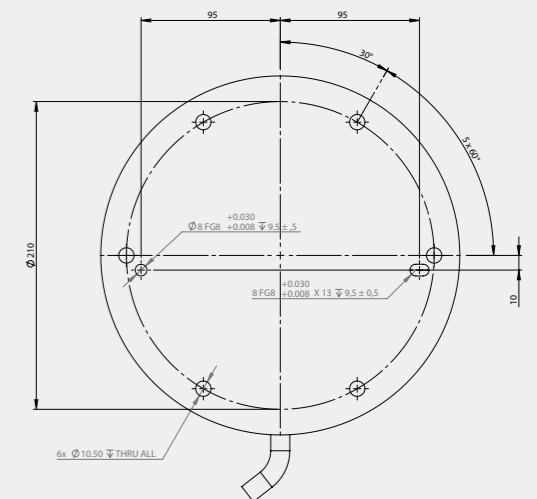
Physical

Materials	Plastic	
Teach Pendant Size (W x H x D)	300 mm x 231 mm x 50 mm (11.8 in x 9.1 in x 1.97 in)	
Weight	1.8 kg (3.961 lbs) including 1 m of teach pendant cable	
Cable Length	4.5 m (177.17 in)	

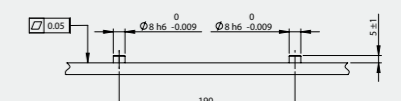


Recommended hole pattern for Robot Base

Bottom View of Robot Base



Mounting Plate with Pins for Robot Base



UNLESS OTHERWISE SPECIFIED: Dimensions are in millimeters.
 Tolerance ± 0.1mm ± 0.5°