



Mech-Eye PRO M

DATASHEET



Mech-Eye PRO M



For applications requiring high accuracy combined with a medium-range working distance, the PRO M with a **working distance of 1,000 mm - 2,000 mm** and a **calibration accuracy of 0.2 mm** provides an optimal solution.

Specifications

The PRO M is ideal for applications such as bin picking, sorting & picking, palletizing & depalletizing, and component localization.

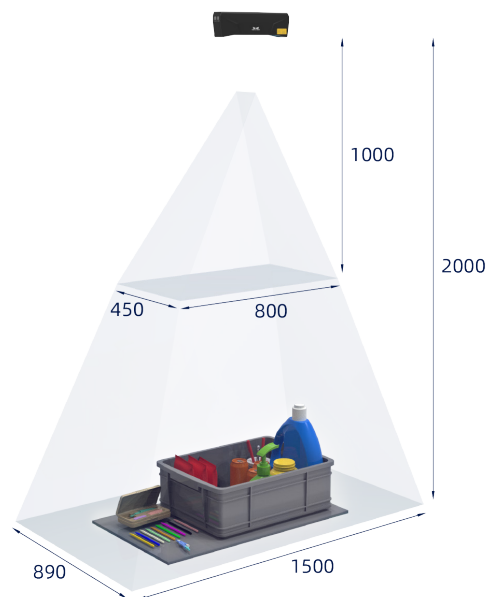
Scope of delivery

PRO M Camera

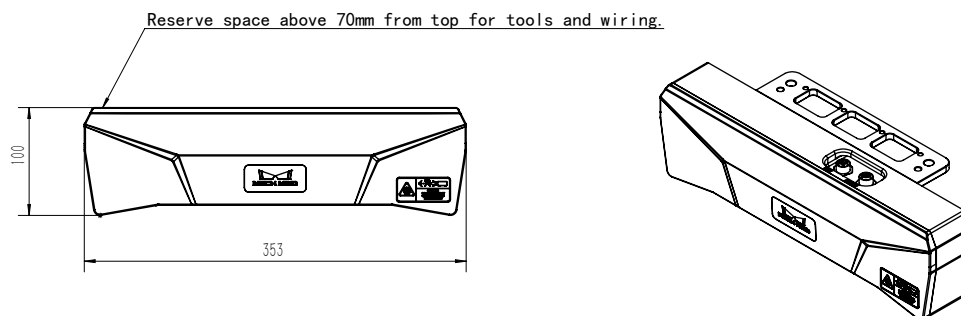
Power - M12, 4-pin, A-coded to EU 230 (6 m) *

Data - M12, 8-pin, A-coded to RJ45 (10 m) *

*further cable lengths are available



Technical drawing



Technical data


Optimal scanning range	1,000 - 2,000 mm
Min. FOV	800 x 450 mm @ 1 m
Max. FOV	1,500 x 890 mm @ 2 m
Resolution	1,920 x 1,200 px (2.3 MP)
Sensor type	CMOS (Monochrome / RGB*)
Projector	structured light (LED)
Z Repeatability	0.2 mm @ 2 m
VDI/VDE** accuracy	0.2 mm @ 2 m
Typical capture time	0.3 - 0.6 s
Baseline	270 mm
Dimension	353 x 57 x 100 mm
Weight	1.9 kg
Working temperature	0 - 45 °C
Interface	GigE , C++, C#, Python, ROS
Connectors	M12, 8-pin, A-coded (F) - Data M12, 4-pin, A-coded (F) - Power
Power supply	24V DC
Certification	CE/FCC/VCCI
Protection class	IP65
Cooling	Passive

* Coming in the future

** Referring to VDI/VDE 2643 Part II



 www.mech-mind.de

 info@mech-mind.de