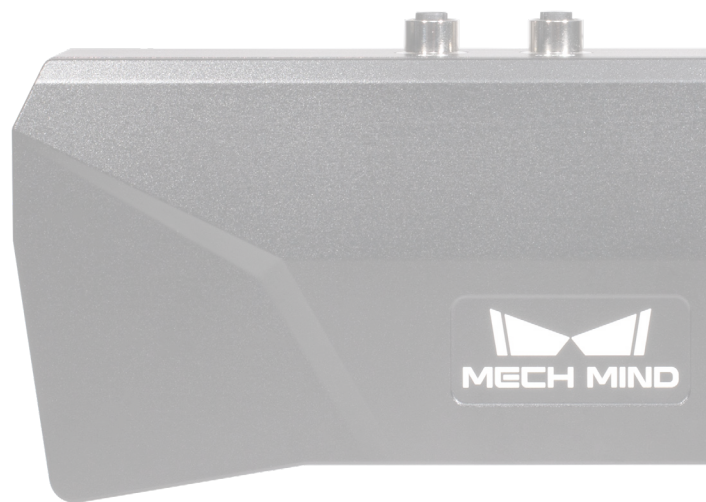




# Mech-Eye PRO S

DATASHEET



# Mech-Eye PRO S



With a **working distance of 500 mm - 1,000 mm** and a high **calibration accuracy of 0.1 mm**, the PRO S offers a solution for applications where shorter ranges are sufficient but more accurate calibration is required.

## Specifications

The PRO S is ideal for applications such as bin picking, sorting & picking, and locating small components.

## Scope of delivery

PRO S Camera

---

Power - M12, 4-pin, A-coded to EU 230 (6 m) \*

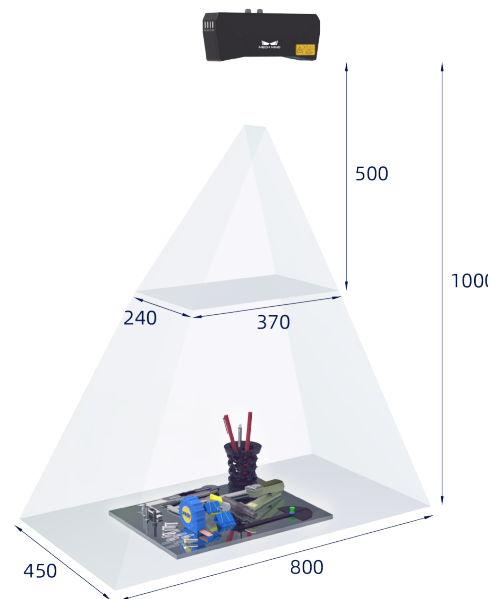
---

Data - M12, 8-pin, A-coded to RJ45 (10 m) \*

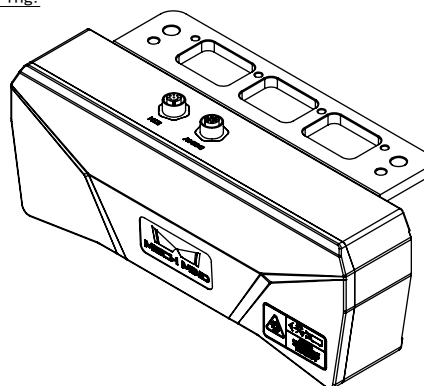
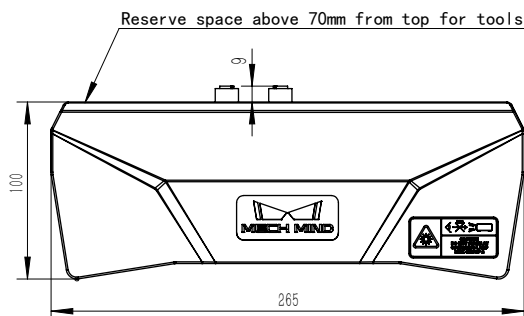
---

\*further cable lengths are available

---



## Technical drawing



## Technical data


Optimal scanning range	500 - 1,000 mm
Min. FOV	370 x 240 mm @ 0.5 m
Max. FOV	800 x 450 mm @ 1 m
Resolution	1,920 x 1,200 px (2.3 MP)
Sensor type	CMOS (Monochrome / RGB*)
Projector	structured light (LED)
Z Repeatability	0.05 mm @ 1 m
VDI/VDE** accuracy	0.1 mm @ 1 m
Typical capture time	0.3 - 0.6 s
Baseline	180 mm
Dimension	265 x 57 x 100 mm
Weight	1.6 kg
Working temperature	0 - 45 °C (max. gradient 10°/hour)
Interface	GigE , C++, C#, Python, ROS
Connectors	M12, 8-pin, A-coded (F) - Data M12, 4-pin, A-coded (F) - Power
Power supply	24V DC
Certification	CE/FCC/VCCI
Protection class	IP65
Cooling	Passive

\* Coming in the future

\*\* Referring to VDI/VDE 2643 Part II



 [www.mech-mind.de](http://www.mech-mind.de)

 [info@mech-mind.de](mailto:info@mech-mind.de)