

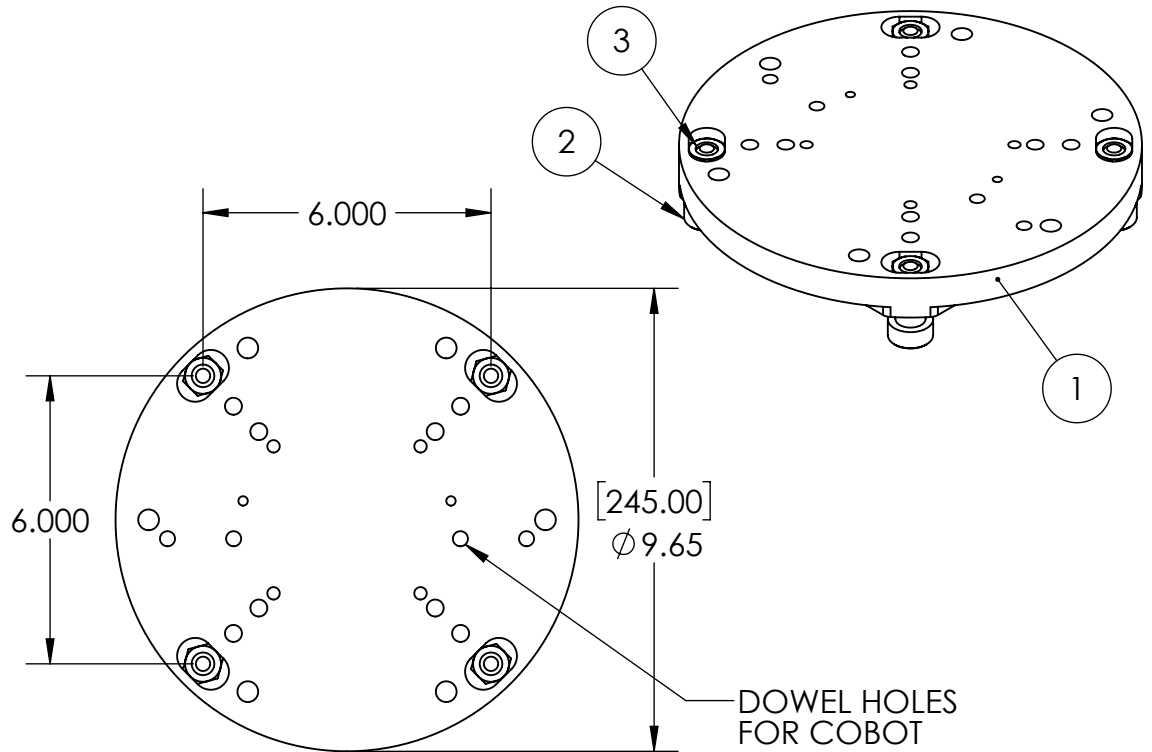
2

1

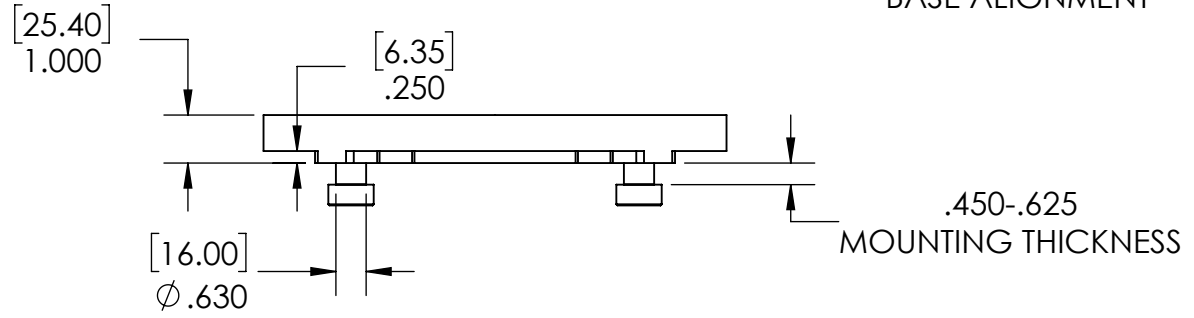
ITEM NO.	PART NUMBER	DESCRIPTION	QTY.
1	KT-050-00-0001	UR INSULATED BASEPLATE, 3-20	1
2	92981A766	16mm DIA, 16mm SHLDR LENGTH, M12 X 1.75 mm THREAD	4
3	90591A181	M12 X 1.75 mm THREAD, CLASS 8, ZINC-PLATED STEEL HEX NUT	4

B

B



DOWEL HOLES FOR COBOT BASE ALIGNMENT



.450-.625 MOUNTING THICKNESS

A

A

**COMPATABLE WITH:**

UNIVERSAL ROBOTS  
UR3E-UR20E

FANUC  
CRX-5 - CRX-20



DESCRIPTION  
COBOT INSULATED BASEPLATE KIT

THIRD ANGLE

DRAWN

DATE  
10/23/2023

MATERIAL

UNLESS OTHERWISE SPECIFIED:  
DIMENSIONS ARE IN INCHES  
DIMENSIONS PER ASME Y14.5-2018

FINISH

TOLERANCES:  
FRACTIONAL ± .0625  
ANGULAR: BEND ± .5 DEG  
TWO PLACE DECIMAL ± .01  
THREE PLACE DECIMAL ± .005

WEIGHT  
0.12

SIZE  
**A**

DWG. NO.  
KT-050-00-0000

REV  
A

SCALE: 1:4

DO NOT SCALE DRAWING

SHEET 1 OF 1

2

1